

DECLARATION OF CONFORMITY  
DECLARACIÓN DE CONFORMIDAD



The company / La Empresa:

**BASOR ELECTRIC, S.A.**

Address / Dirección:

Av. Alcodar, 45-47, 46700. Gandía (VLC), Spain.

Declares that the product:

*Declara que el producto:*

**BASORSUPPORT SP**

Installed in accordance to the installation standards, manufacturer's instructions and professional rules, duly maintained and used for the applications as intended.

*Instalado de acuerdo con las normas de instalación, instrucciones del fabricante y conforme a las reglas profesionales, debidamente mantenido y utilizado en las aplicaciones para las que está previsto.*

Complies with the essential requirements of the Council Directives:

*Cumple con los requisitos esenciales de las Directivas del Consejo:*

**2014/35/UE (Low Voltage Directive) / (Directiva de Baja Tensión)**

Incorporated in the Spanish Legislation in: R.D. 7/1988 and its modification R.D. 154/1995.

*Incorporado en la Legislación Española en: R.D. 7/1988 y su modificación R.D. 154/1995.*

And it is suitable and safe for the intended use and it is in conformity with the following standard:

*Es adecuado y seguro para el uso a que está destinado y es conforme con la siguiente norma:*

**UNE EN 61537**

Additional information:

*Información adicional:*

This product is intended to be installed and maintained by skilled persons, it may be used by ordinary persons only as a replacement part, to substitute for an identical device.

*Este producto está previsto para ser instalado y mantenido por un profesional, puede ser usado por una persona no formada para reemplazamiento de uno idéntico.*

Place and date:

*Lugar y fecha:*

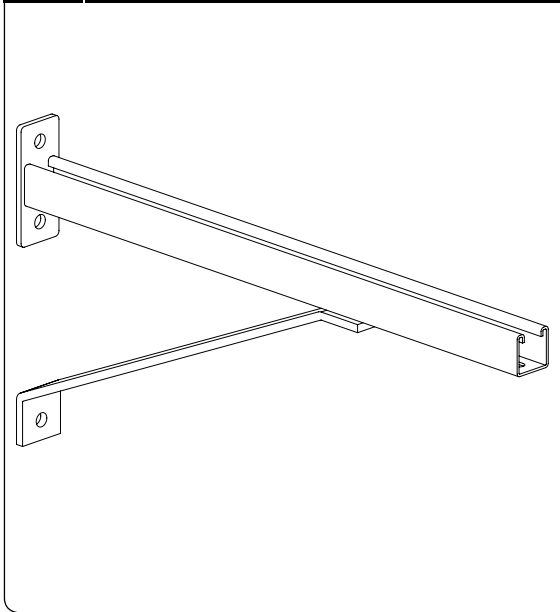
Gandía April 2016

*Gandía Abril 2016*

Technical department / Departamento Técnico



**SP+Reinforcement 450x8 WALL SUPPORT**



Modelos (B):  
400; 500; 600; 700; 800; 1000; 1500.

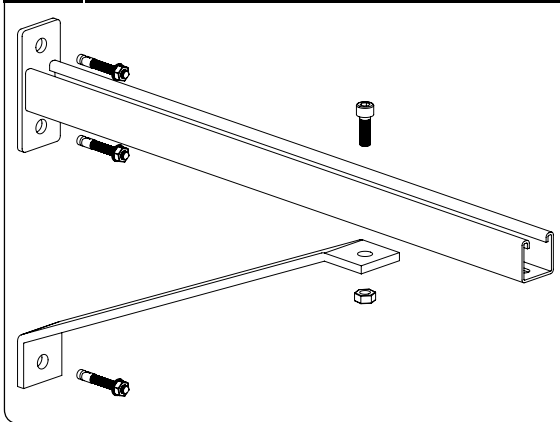
Finishes: HDG

Characteristics:

- Metallic
- Non-flame propagating
- System with electrical continuity
- Electrically conductive component
- Minimum temperature of -50 °C
- Maximum temperature of 150 °C
- With metallic coating; resistance to corrosion

HDG coating: class 6

**ASSEMBLY INSTRUCTIONS**



- To fix the support to wall two anchors are needed for SP support and another one for the reinforcement.
- To fix the reinforcement to SP support, one bolt M10x30 DIN 912 and one nut M10 DIN 934 are needed.
- To guarantee a good ventilation, we recommend installing the trays keeping a minimum distance of 250 mm between each tray.
- Trays which are placed on supports shall have to keep a gap of 20 mm from the wall to allow for a correct ventilation of the cables.
- Trays can be fixed to support in the open side using channel nuts with spring or in the solid (slotted) side using standard bolt&nut.

**SAFE WORKING LOAD**

		MODEL					
		400	500	600	700	800	1000
CTA	kg	724	592	501	434	383	310
Deflection	mm	16	20	24	29	33	41